

750 Lake Cook Road

Suite 120-125

750 W. Lake Cook Rd, Buffalo Grove, IL
60089

HAMILTON PARTNERS
www.hamiltonpartners.com



DETAILS

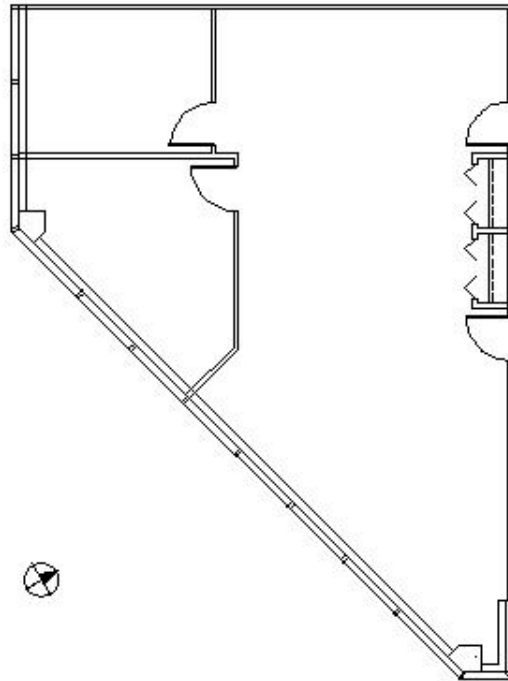
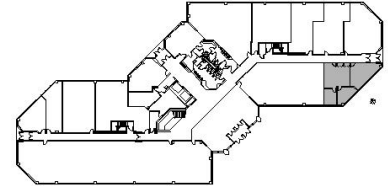
Square Feet: 1,226 S.F.
Net Rent: \$14.00/S.F.
OP. Expense: \$8.16/S.F.
Tax: \$3.12/S.F.
Gross Rent: \$25.28/S.F.

SPACE PLAN

SUITE FEATURES

- 2 Private Offices
- Large Open Areas
- EPA Energy Star Rated Building
- Professional Park-Like Setting with Golf Course Views
- Excellent Parking Access
- Building Conference Room
- Fiber Optics & Cable
- 2-Story Atrium Lobby with Granite Flooring
- Key Card Access / Security System
- Great Visibility Along Lake Cook Road
- Convenient To Shops, Hotels And Restaurants
- On-Site Management
- Health Club with Locker Room & Shower

FIRST FLOOR PLAN



HAMILTON PARTNERS - Sponsoring Broker

Brian Lunt

blunt@hpre.com

P 847-459-2249

F 847-459-8918